

Adapting AWM3000 Supply Circuit to PMFc3000

AWM3000 is ratiometric. To achieve the output curve defined in the spec the supply voltage must be 10 V. Figure 1 shows a typical supply circuit for AWM3300V.

PMFc3300V is not ratiometric. It provides 1 to 5V output as long as the supply voltage is within spec (8 to 14 V). Therefore the zener diode (U3) can be dropped.

Also PMFc3300V requires much larger inrush current. As a result the dropping resistor (R13) must be reduced (to 10 ohm for example), or be eliminated all together.

Overall the supply circuit for PMFc3300V is much simpler than AWM3300V (Figure 2).

Figure 1 AWM3300V Supply Circuit

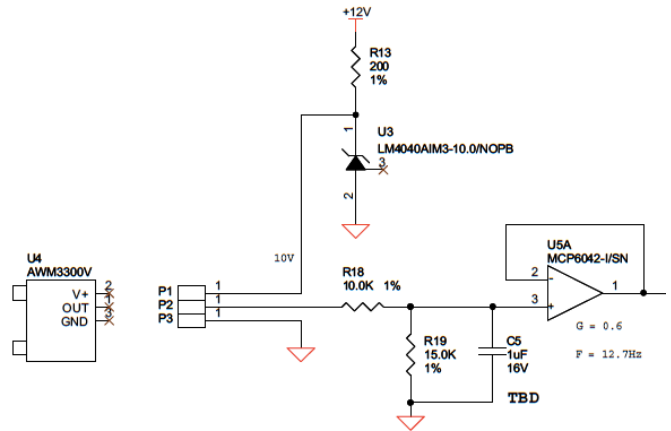


Figure 2 PMFc3300V Supply Circuit

